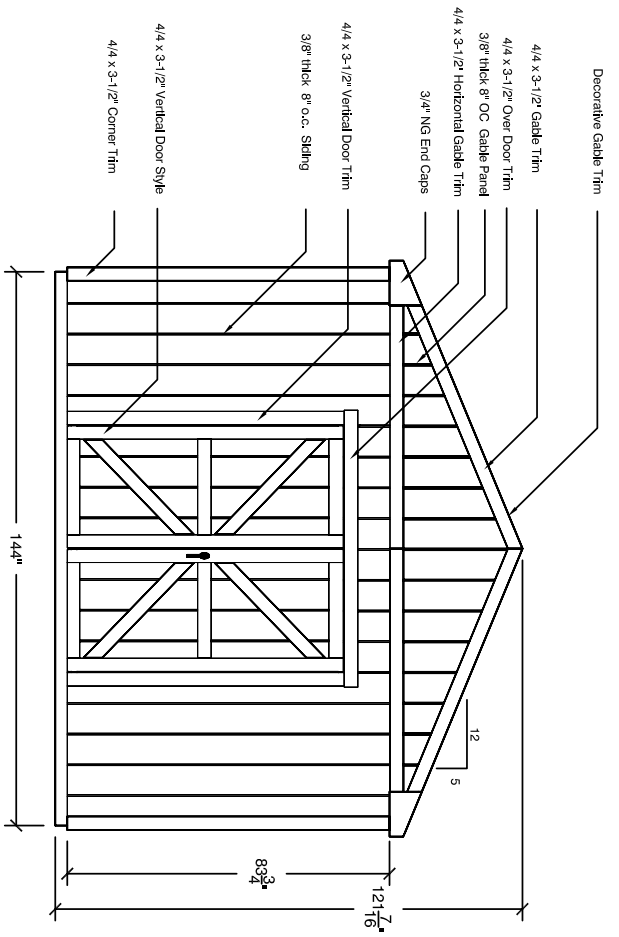


12'-0" WIDE GABLE STYLE

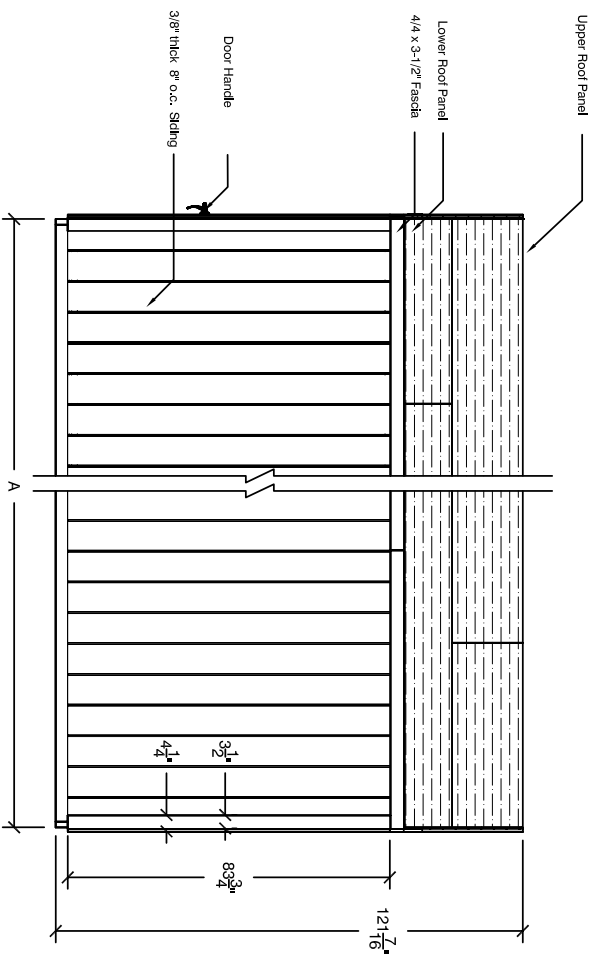


SIZE	ADDRESS	DWG BY.	Last Revision
D	6400 E. 11 Mile Road Warren, MI 48091-4101		April 6, 2005
SCALE	As Noted	(800) 437-0784	SHEET 1 of 1

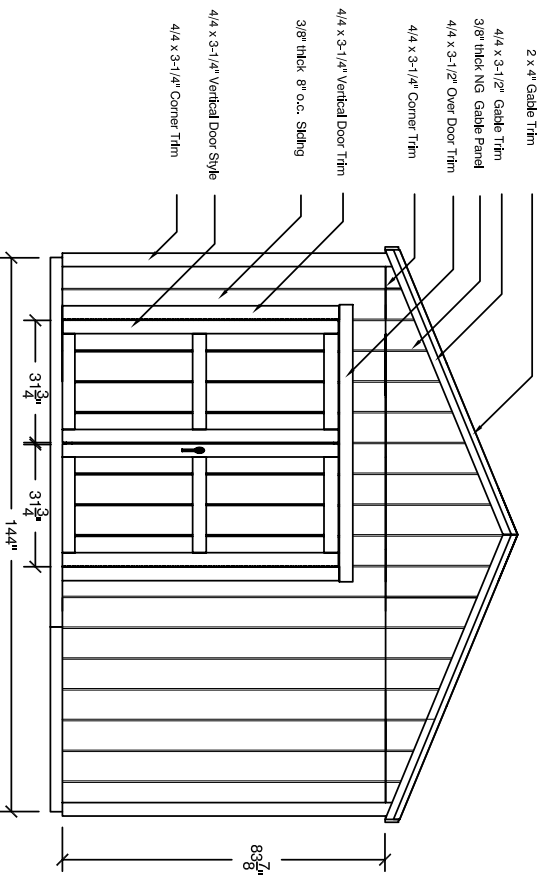
Depth Dim. "A" Gable Style 12'-0" wide by: (7'-0" Side Walls ONLY)	12'-0" Base	16'-0"	20'-0"	24'-0"		



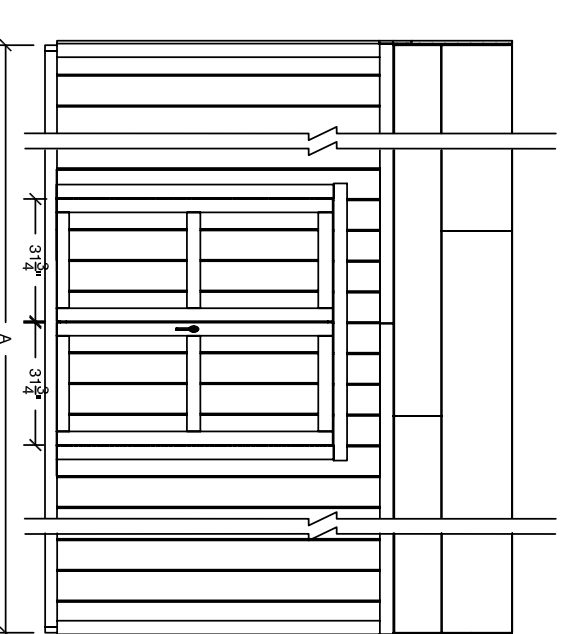
A GABLE ELEVATION w/ TRIM OPTION #1
SCALE: 1/4" = 1'-0"



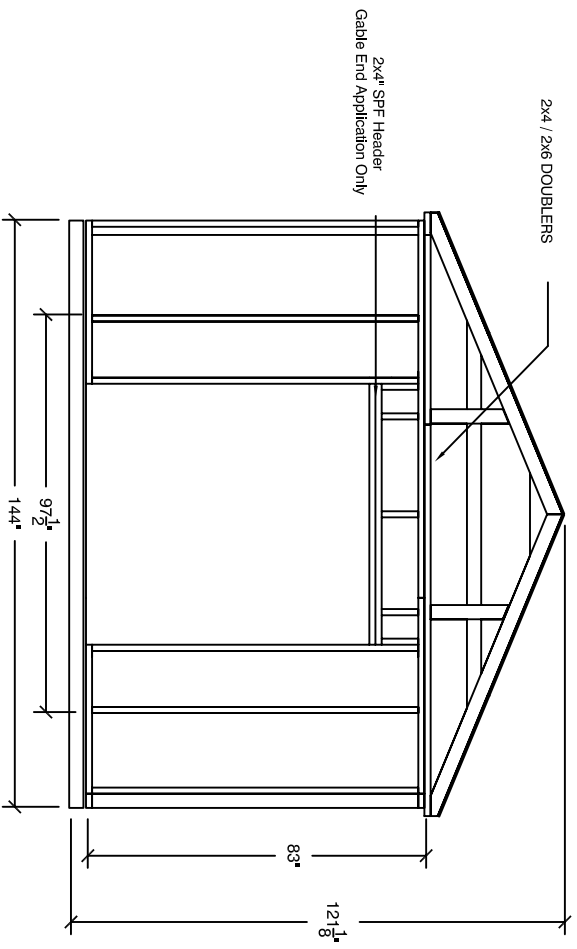
B EAVE ELEVATION w/o DOOR
SCALE: 1/4" = 1'-0"



F GABLE ELEVATION w/ TRIM OPTION #2 DOOR CENTERED
SCALE: 1/4" = 1'-0"



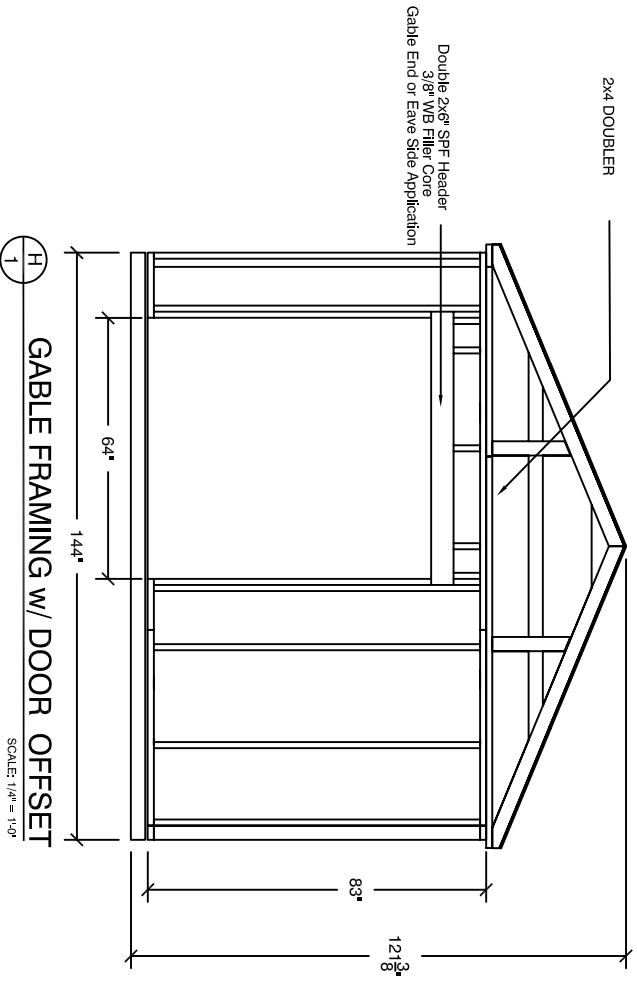
G EAVE ELEVATION with DOOR CENTERED
SCALE: 1/4" = 1'-0"



C
1

GABLE FRAMING w/ DOOR CENTERED & TRIM OPTION #2

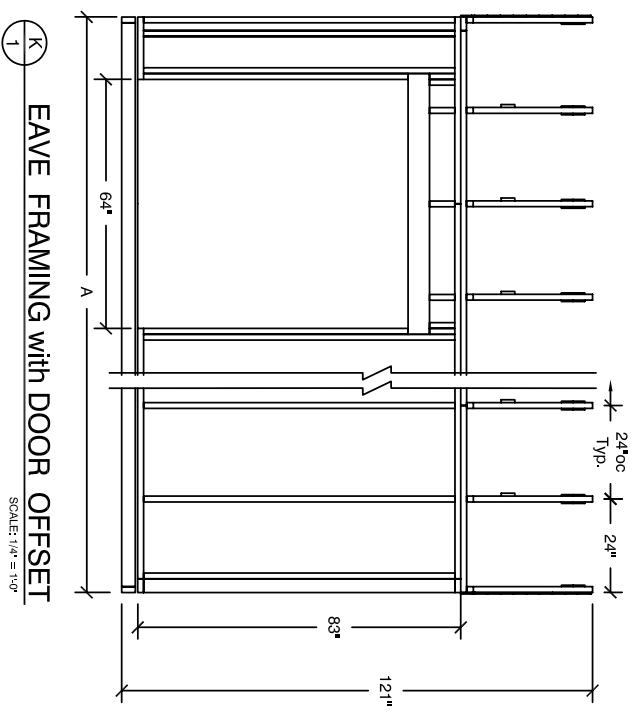
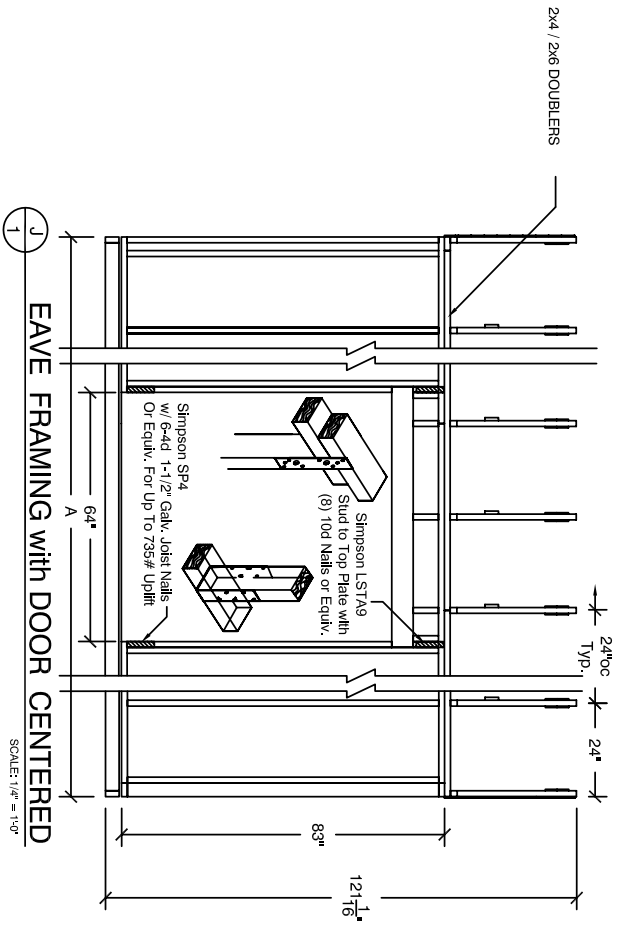
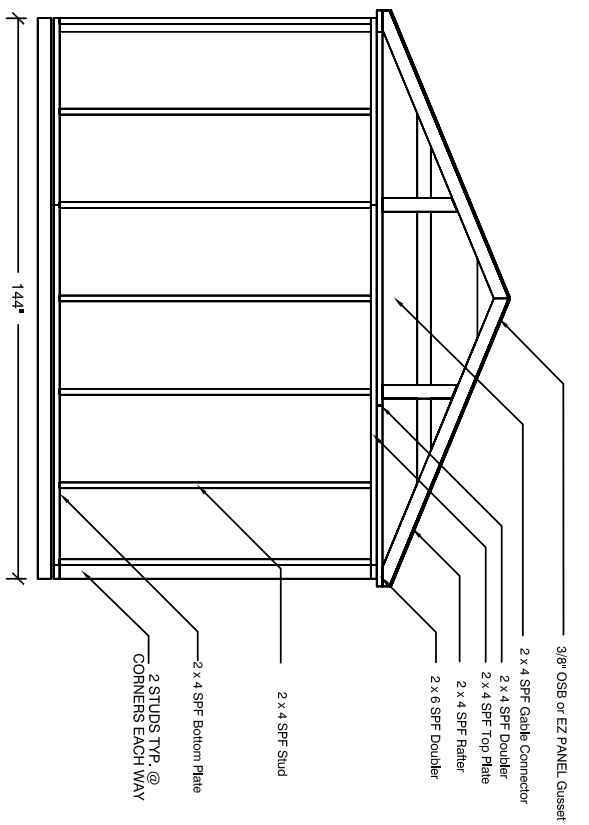
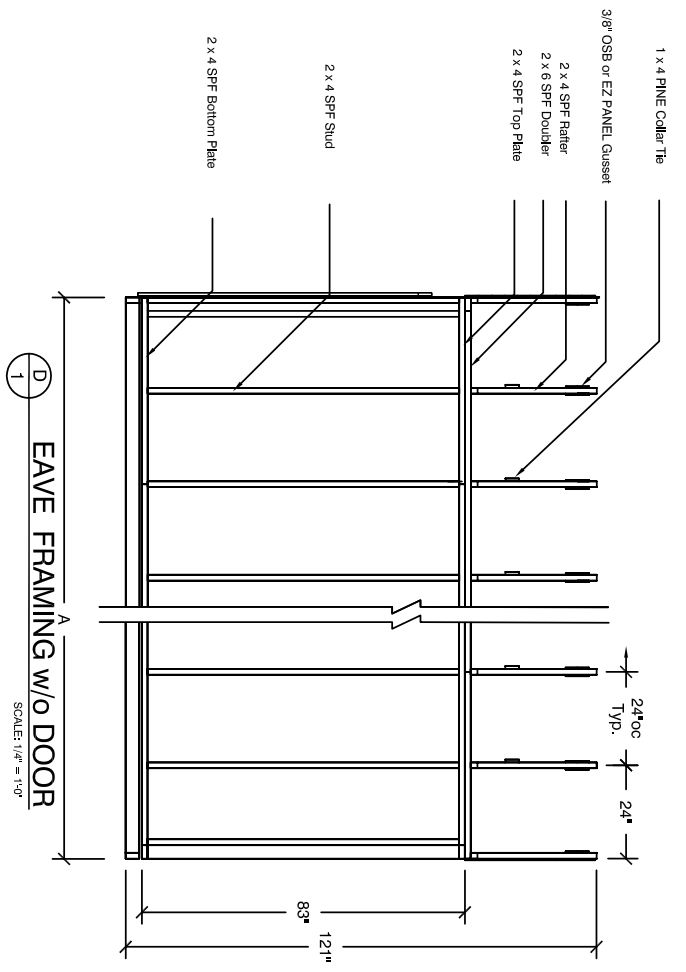
SCALE: 1/4\"/>

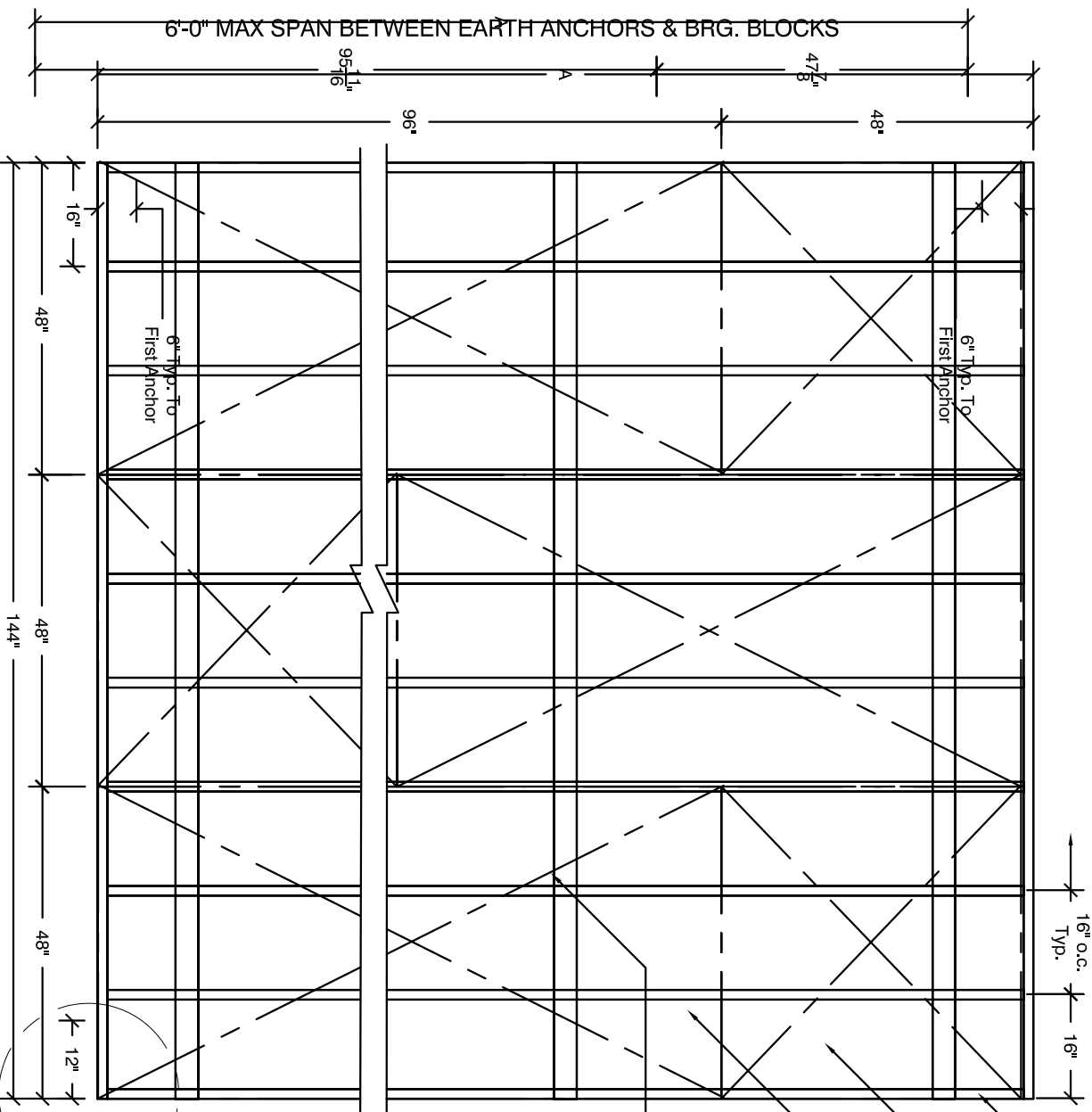


H
1

GABLE FRAMING w/ DOOR OFFSET

SCALE: 1/4\"/>





FLOOR FRAMING
SCALE: 3/8" = 1'-0"

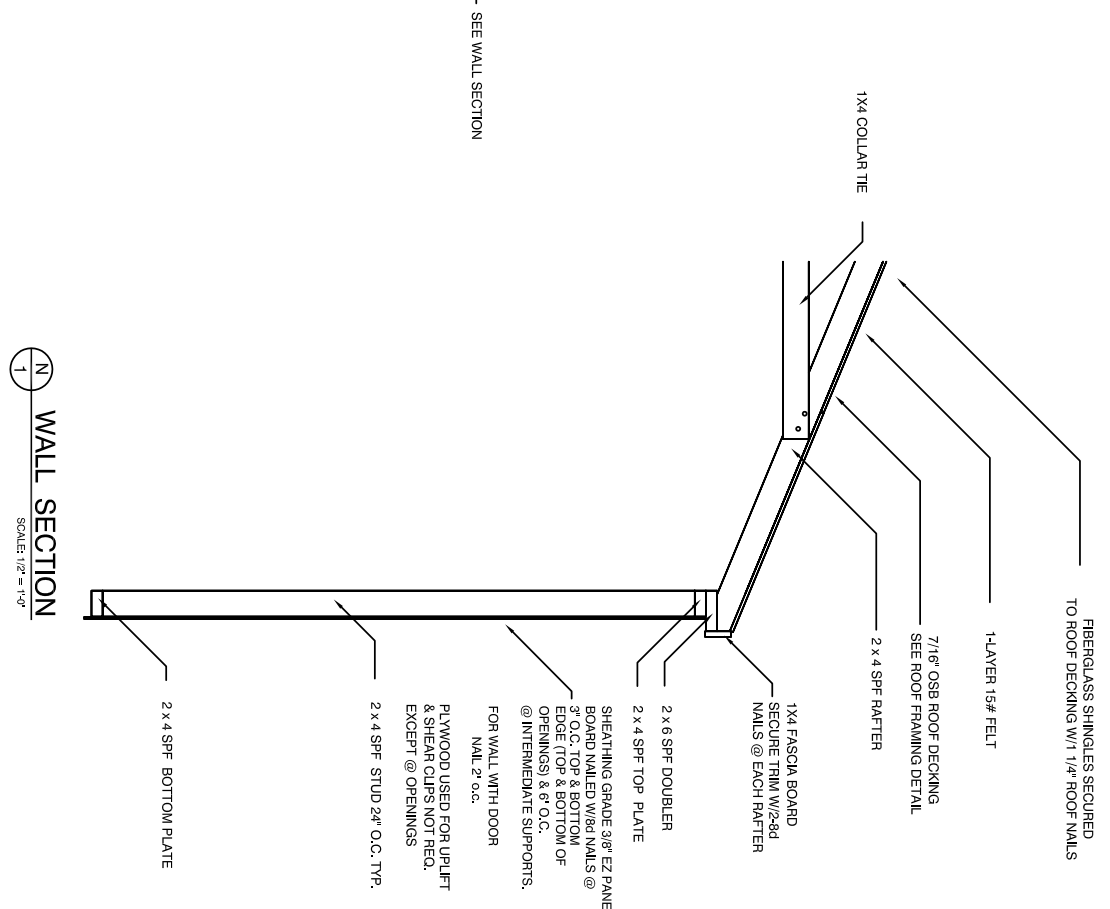
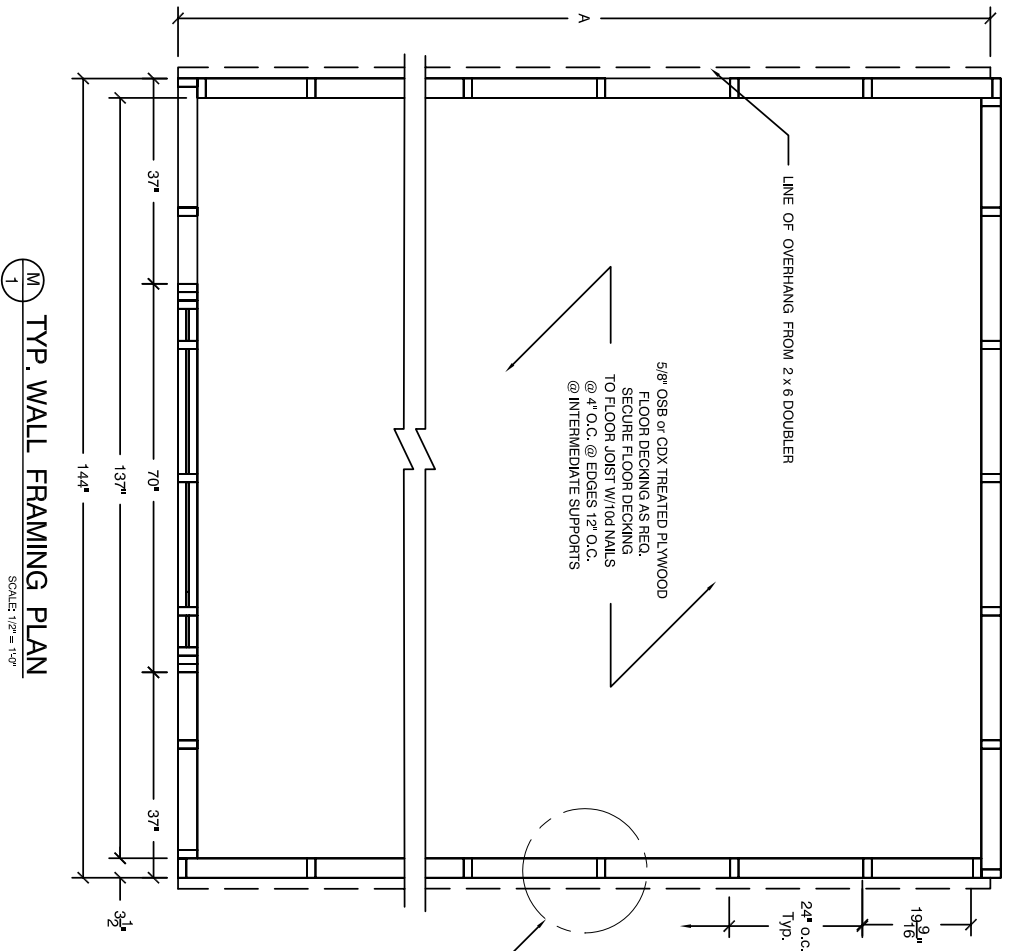
P.T. BOND BOARD (TYP)...
SECURE BOND @ CORNERS
W/3-16d NAILS

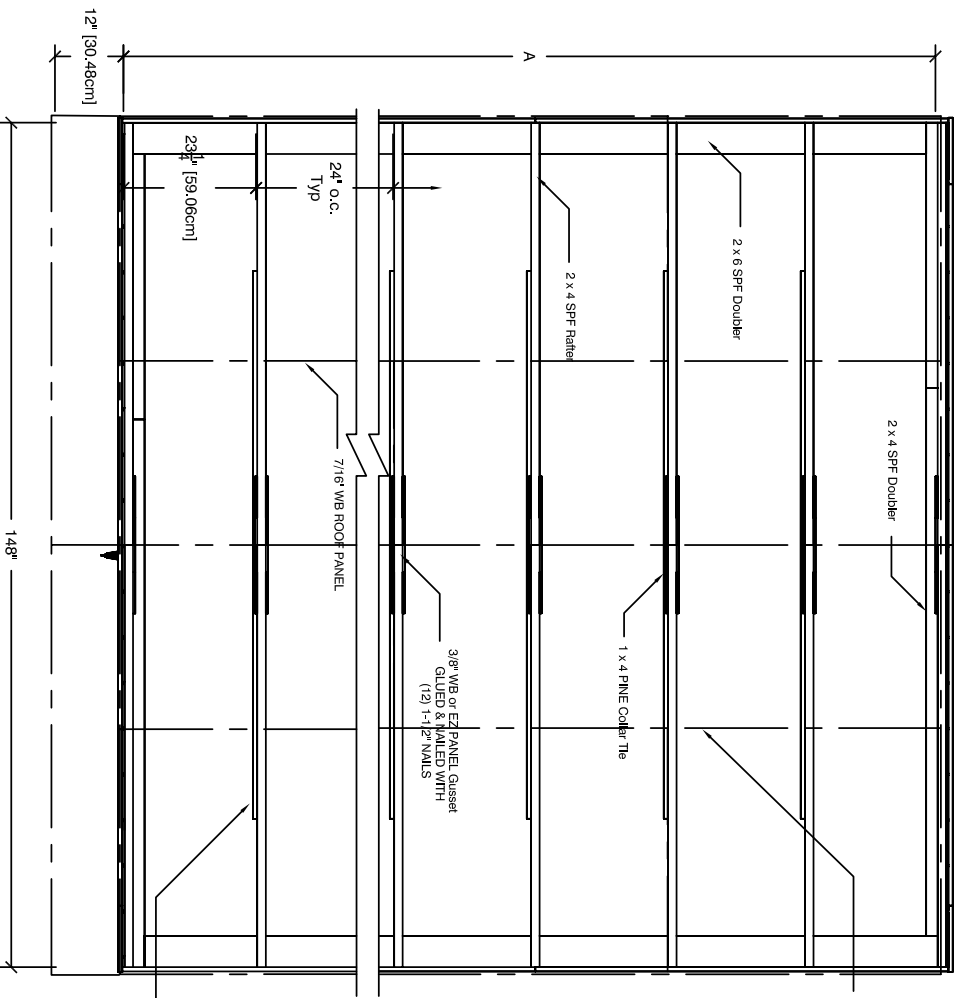
P.T. JOISTS @ 16" O.C. (TYP)...
SECURE JOIST TO BOX SILL
W/2-16d NAILS @ EACH JOIST

4X4 P.T. RUNNERS (TYP)...
TOE NAIL FLOOR JOIST TO RUNNERS
W/2-12d NAILS @ EACH JOIST/RUNNER
INTERSECTION

5/8" OSB OR CDX TREATED PLYWOOD
SECURE FLOOR DECKING
TO FLOOR JOIST
W/8d NAILS @ 6" O.C.
@ EDGES & 12" O.C.
@ INTERMEDIATE SUPPORTS

SEE FLOOR FOOTING DETAIL

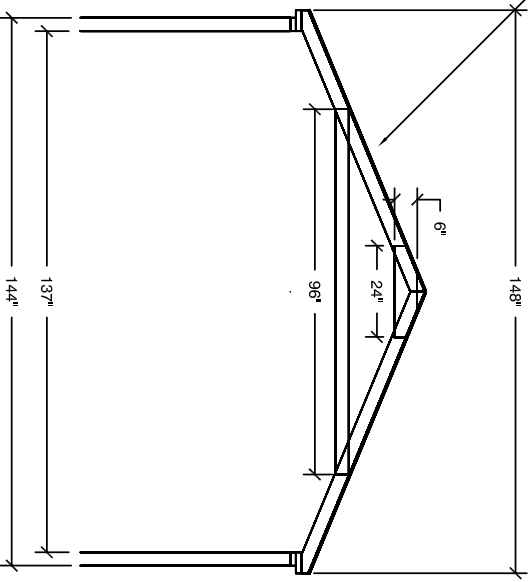




P
1
ROOF FRAMING PLAN
SCALE: 3/8" = 1'-0"

SECURE ROOF DECKING W/8d COMMON OR 8d HOT DIPPED NAILS @ 6" O.C. @ EDGES & 6" O.C. @ INTERMEDIATE SUPPORTS & 4" O.C. @ GABLE END WALLS OR GABLE TRUSSES

1X4 COLLAR TIE
SECURE COLLAR TIES TO RAFTERS W/4-16d NAILS (2 NAILS EACH RAFTER)



Q
1
RAFTER SECTION
SCALE: 3/8" = 1'-0"